



**John
BOOS**
Since 1887

ITEM #: _____ QTY: _____
 MODEL #: _____
 PROJECT NAME: _____

103020

3601 S. Banker St. Effingham, IL 62401 • P.O. BOX 609 • Ph: (888) 431-2667 • Fax: (800) 433-2667

"PBMSHS" MULTISTATION HAND WASH SINKS

FREE STANDING OR WALL MOUNT

FEATURES:

- STANDARD 16GA TYPE 300 STAINLESS STEEL WITH #4 POLISH
- 5" DEEP BOWLS
- BOTTOM OF BOWLS FORMED FOR DRAINAGE TO 3-1/2" DIAMETER DIE STAMPED OPENING
- 7" HIGH BACKSPLASH
- 4" ON-CENTER OR SINGLE, 1" FAUCET HOLES IN BACKSPLASH

CONSTRUCTION:

- TOP: STAINLESS STEEL SINKS ARE TIG WELDED, EXPOSED WELDS ARE POLISHED TO MATCH ADJACENT SURFACE
- BASE: STAINLESS STEEL BASES, FREESTANDING OR WALL MOUNT, K.D.

MATERIAL:

- BOWL: 16GA TYPE 300 SERIES STAINLESS STEEL WITH #4 POLISH, SATIN FINISH
- LEGS: 1-5/8" ROUND O.D. STAINLESS STEEL
- BRACING: 1-1/4" ROUND O.D. STAINLESS STEEL
- GUSSETS: STAINLESS STEEL
- FEET: 1" ADJUSTABLE STAINLESS STEEL FLANGED FOOT WITH HOLES POLISH, SATIN FINISH



PBMSHS-F2-6020



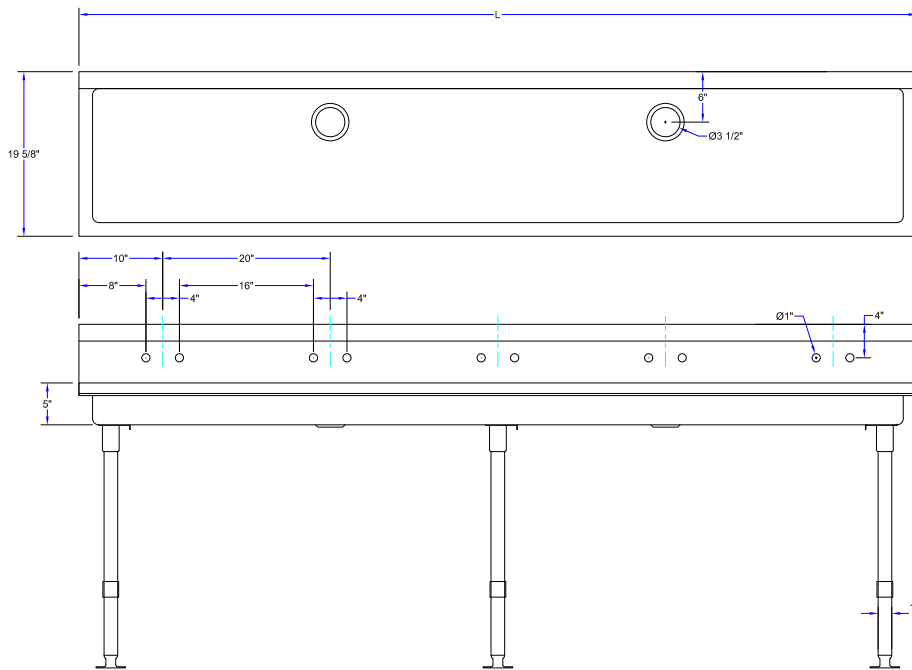
PBMSHS-W2-6020

MULTISTATION HAND WASH SINKS - FREE STANDING

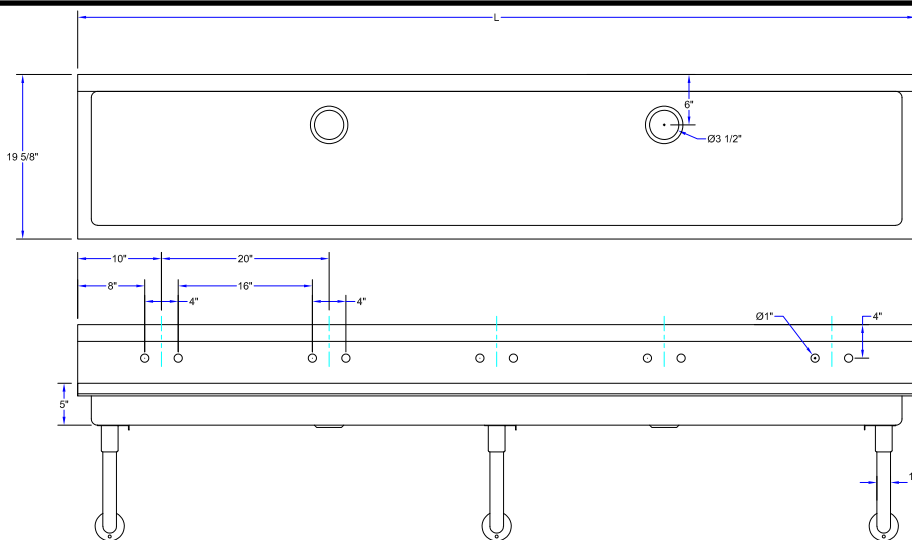
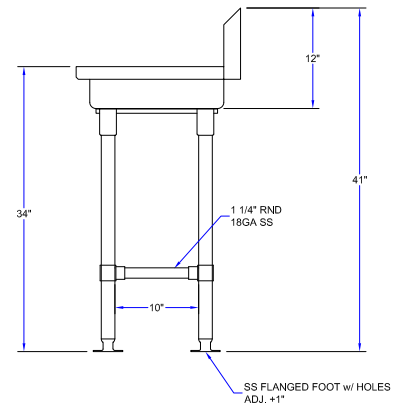
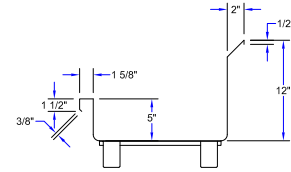
MODEL #	QTY
PBMSHS-F1-4020	
PBMSHS-F2-4020	
PBMSHS-F1-6020	
PBMSHS-F2-6020	
PBMSHS-F1-8020	
PBMSHS-F2-8020	
PBMSHS-F1-10020	
PBMSHS-F2-10020	

MULTISTATION HAND WASH SINKS - WALL MOUNT

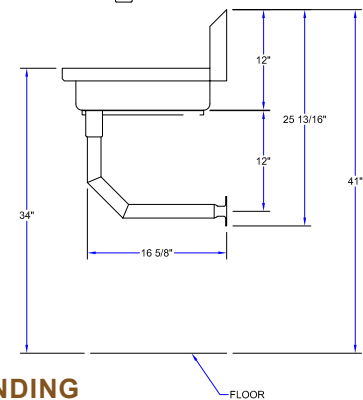
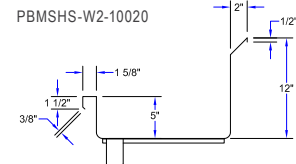
MODEL #	QTY
PBMSHS-W1-4020	
PBMSHS-W2-4020	
PBMSHS-W1-6020	
PBMSHS-W2-6020	
PBMSHS-W1-8020	
PBMSHS-W2-8020	
PBMSHS-W1-10020	
PBMSHS-W2-10020	



PBMSHS-F2-10020



PBMSHS-W2-10020



MULTISTATION HAND WASH SINKS - FREE STANDING

MODEL #	SIZE (L X W X H)	DESCRIPTION	WEIGHT (LBS)
PBMSHS-F1-4020	40" X 19-5/8" X 41"	(2) SINGLE 1" FAUCET HOLES	50
PBMSHS-F2-4020	40" X 19-5/8" X 41"	2 SETS OF 4" O.C. FAUCET HOLES	50
PBMSHS-F1-6020	60" X 19-5/8" X 41"	(3) SINGLE 1" FAUCET HOLES	63
PBMSHS-F2-6020	60" X 19-5/8" X 41"	3 SETS OF 4" O.C. FAUCET HOLES	63
PBMSHS-F1-8020	80" X 19-5/8" X 41"	(4) SINGLE 1" FAUCET HOLES	76
PBMSHS-F2-8020	80" X 19-5/8" X 41"	4 SETS OF 4" O.C. FAUCET HOLES	76
PBMSHS-F1-10020	100" X 19-5/8" X 41"	(5) SINGLE 1" FAUCET HOLES	97
PBMSHS-F2-10020	100" X 19-5/8" X 41"	5 SETS OF 4" O.C. FAUCET HOLES	97

MULTISTATION HAND WASH SINKS - WALL MOUNT

MODEL #	SIZE (L X W X H)	DESCRIPTION	WEIGHT (LBS)
PBMSHS-W1-4020	40" X 19-5/8" X 41"	(2) SINGLE 1" FAUCET HOLES	47
PBMSHS-W2-4020	40" X 19-5/8" X 41"	2 SETS OF 4" O.C. FAUCET HOLES	47
PBMSHS-W1-6020	60" X 19-5/8" X 41"	(3) SINGLE 1" FAUCET HOLES	61
PBMSHS-W2-6020	60" X 19-5/8" X 41"	3 SETS OF 4" O.C. FAUCET HOLES	61
PBMSHS-W1-8020	80" X 19-5/8" X 41"	(4) SINGLE 1" FAUCET HOLES	74
PBMSHS-W2-8020	80" X 19-5/8" X 41"	4 SETS OF 4" O.C. FAUCET HOLES	74
PBMSHS-W1-10020	100" X 19-5/8" X 41"	(5) SINGLE 1" FAUCET HOLES	94
PBMSHS-W2-10020	100" X 19-5/8" X 41"	5 SETS OF 4" O.C. FAUCET HOLES	94

SOME UNITS SHIP UNASSEMBLED FOR REDUCED SHIPPING COST. ALL DIMENSIONS ARE TYPICAL. TOLERANCE +/- .500"

John Boos & Co. is constantly engaged in a program of improving products and therefore reserves the right to change specifications without prior notice.



3601 S. Banker St. • Effingham, IL 62401 • PO BOX 609 • quotes@johnboos.com

110320



www.johnboos.com

859